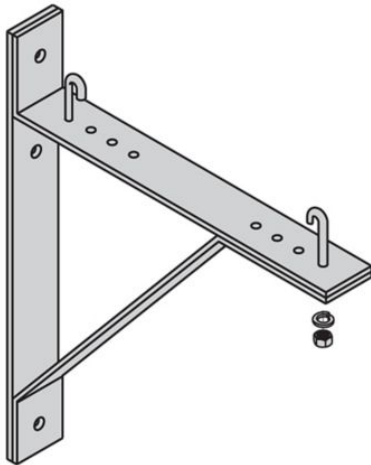


# Eaton SB213224YZ

Catalog Number: SB213224YZ

Eaton B-Line series runway to rack support kit, includes Mounting plate, J bolts, and hardware, 6" upright network equipment rack top plate runway support kit, ASTM A36 structural steel, Yellow zinc finish



## General specifications

|  |                       |
|--|-----------------------|
| <b>Product Name</b>                            | <b>Catalog Number</b> |
| Eaton B-Line series runway to rack support kit | SB213224YZ            |
|  | <b>UPC</b>            |
|  | 799038299295          |
| <b>Product Length/Depth</b>                    | <b>Product Height</b> |
| 7 in   | 2.75 in               |
| <b>Product Width</b>                           | <b>Product Weight</b> |
| 24.38 in                                       | 12.9 lb               |
| <b>Certifications</b>                          |                       |
| UL Listed                                      |                       |



Powering Business Worldwide

## Product specifications

### Special features

Includes Mounting plate, J bolts, & hardware

### Type

6" upright network equipment rack top plate runway support kit

### Material details

Yellow zinc ASTM A36 steel

### Application

Used to secure cable runway to top angles

## Resources

### Brochures

[Redi-Rail runway brochure](#)

### Catalogs

[Cable runway and accessories section of datacomm catalog](#)

### Specifications and datasheets

[Eaton Specification Sheet - SB213224YZ](#)



Eaton Corporation plc  
Eaton House  
30 Pembroke Road  
Dublin 4, Ireland  
Eaton.com  
© 2023 Eaton. All Rights Reserved.

Eaton is a registered trademark.

All other trademarks are property of their respective owners.



[Eaton.com/socialmedia](https://www.eaton.com/socialmedia)